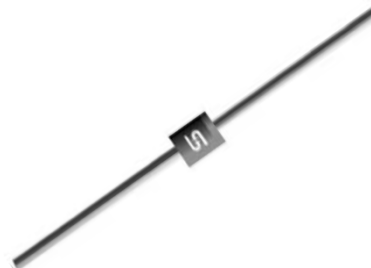


### Features

- ✧ Low power loss, High efficiency.
- ✧ High current capability, Low VF.
- ✧ High reliability
- ✧ High surge current capability.
- ✧ Epitaxial construction.
- ✧ Guard-ring for transient protection.
- ✧ For use in low voltage, high frequency inverter, free wheeling, and polarity protection application
- ✧ Green compound with suffix "G" on packing code & prefix "G" on datecode



### Mechanical Data

- ✧ Cases: DO-201AD molded plastic
- ✧ Epoxy: UL 94V-0 rate flame retardant
- ✧ Lead: Pure tin plated, lead free, solderable per MIL-STD-202, Method 208 guaranteed
- ✧ Polarity: Color band denotes cathode
- ✧ High temperature soldering guaranteed: 260°C/10 seconds / .375", (9.5mm) lead lengths at 5 lbs, (2.3kg) tension
- ✧ Weight: 1.10 grams

### Ordering Information (example)

Part No.	Package	Packing	INNER TAPE	Packing code	Green Compound Packing code
SR502	DO-201AD	500 / AMMO box	52mm	A0	A0G

### Maximum Ratings and Electrical Characteristics

Rating at 25 °C ambient temperature unless otherwise specified.

Single phase, half wave, 60 Hz, resistive or inductive load.

For capacitive load, derate current by 20%

Type Number	Symbol	SR 502	SR 503	SR 504	SR 505	SR 506	SR 509	SR 510	SR 515	SR 520	Units
Maximum Recurrent Peak Reverse Voltage	$V_{RRM}$	20	30	40	50	60	90	100	150	200	V
Maximum RMS Voltage	$V_{RMS}$	14	21	28	35	42	63	70	105	140	V
Maximum DC Blocking Voltage	$V_{DC}$	20	30	40	50	60	90	100	150	200	V
Maximum Average Forward Rectified Current	$I_{F(AV)}$	5									A
Peak Forward Surge Current, 8.3 ms Single Half Sine-wave Superimposed on Rated Load (JEDEC method)	$I_{FSM}$	120									A
Maximum Instantaneous Forward Voltage (Note 1) @ 5 A	$V_F$	0.55		0.70		0.85		1.05			V
Maximum DC Reverse Current @ $T_A=25^\circ C$ at Rated DC Blocking Voltage @ $T_A=100^\circ C$ @ $T_A=125^\circ C$	$I_R$	0.5				0.1				mA	
		15		10		-		5	1		
		-									
Typical Junction Capacitance (Note 2)	$C_j$	250		210		120				pF	
Typical Thermal Resistance	$R_{\theta JA}$	35									$^\circ C/W$
	$R_{\theta JC}$	6									
Operating Junction Temperature Range	$T_J$	- 65 to + 150									$^\circ C$
Storage Temperature Range	$T_{STG}$	- 65 to + 150									$^\circ C$

Note1: Pulse Test with PW=300 usec, 1% Duty cycle

Note2: Measured at 1 MHz and Applied Reverse Voltage of 4.0V D.C.

## RATINGS AND CHARACTERISTIC CURVES (SR502 THRU SR520)

FIG. 1- MAXIMUM FORWARD CURRENT DERATING CURVE

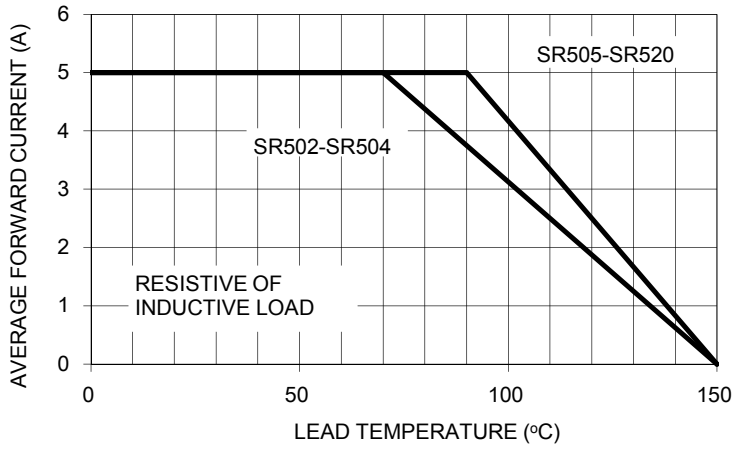


FIG. 2- MAXIMUM NON-REPETITIVE FORWARD SURGE CURRENT

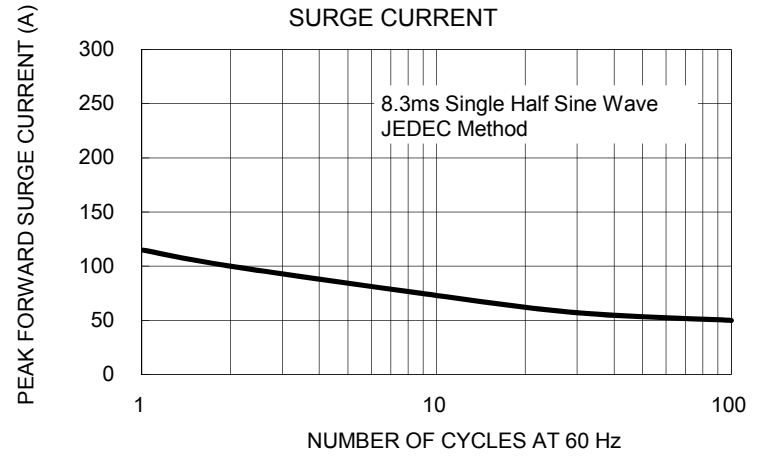


FIG. 3- TYPICAL FORWARD CHARACTERISTICS

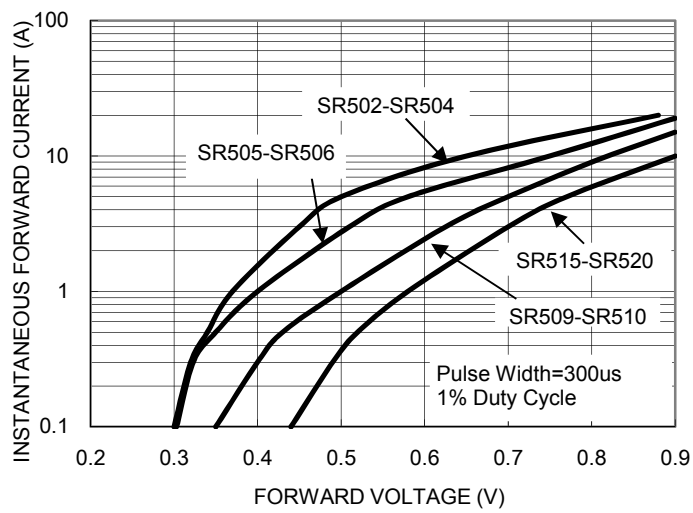


FIG. 4- TYPICAL REVERSE CHARACTERISTICS

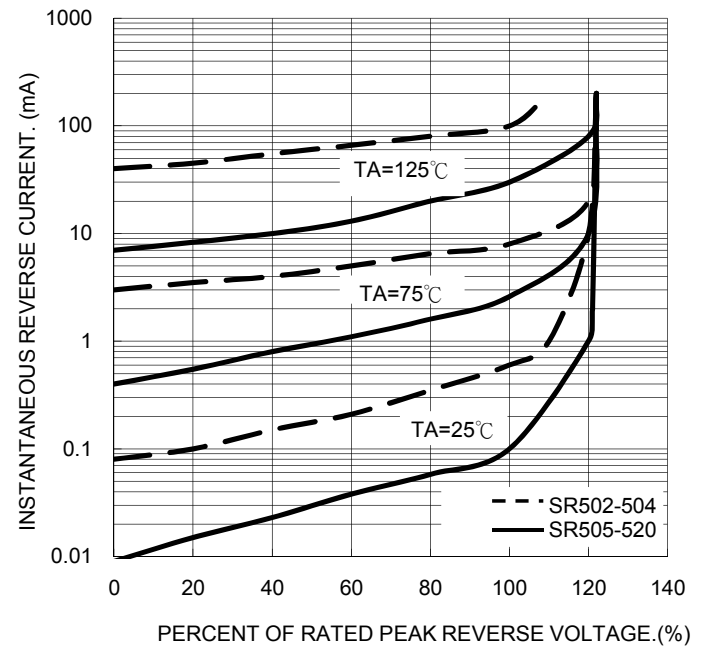


FIG. 5- TYPICAL JUNCTION CAPACITANCE

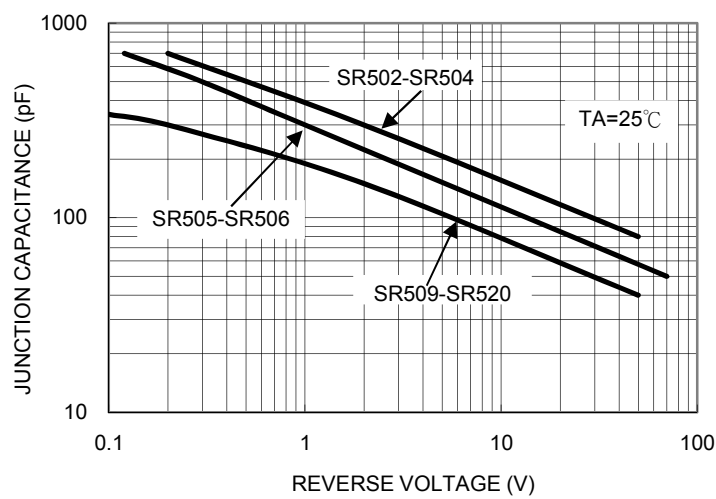
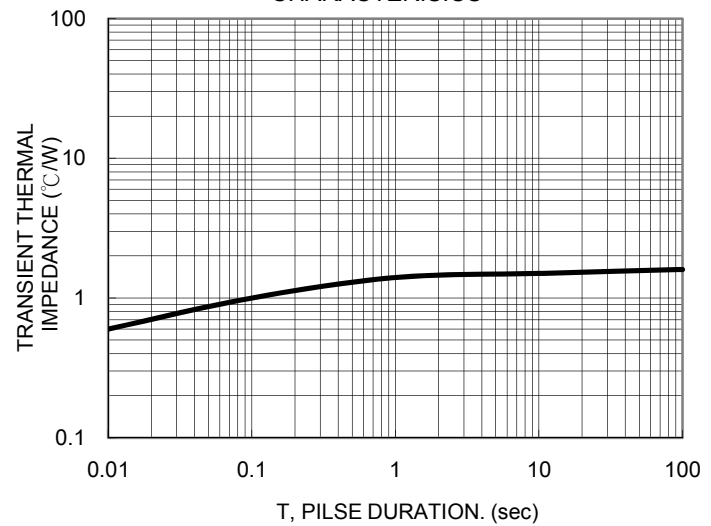


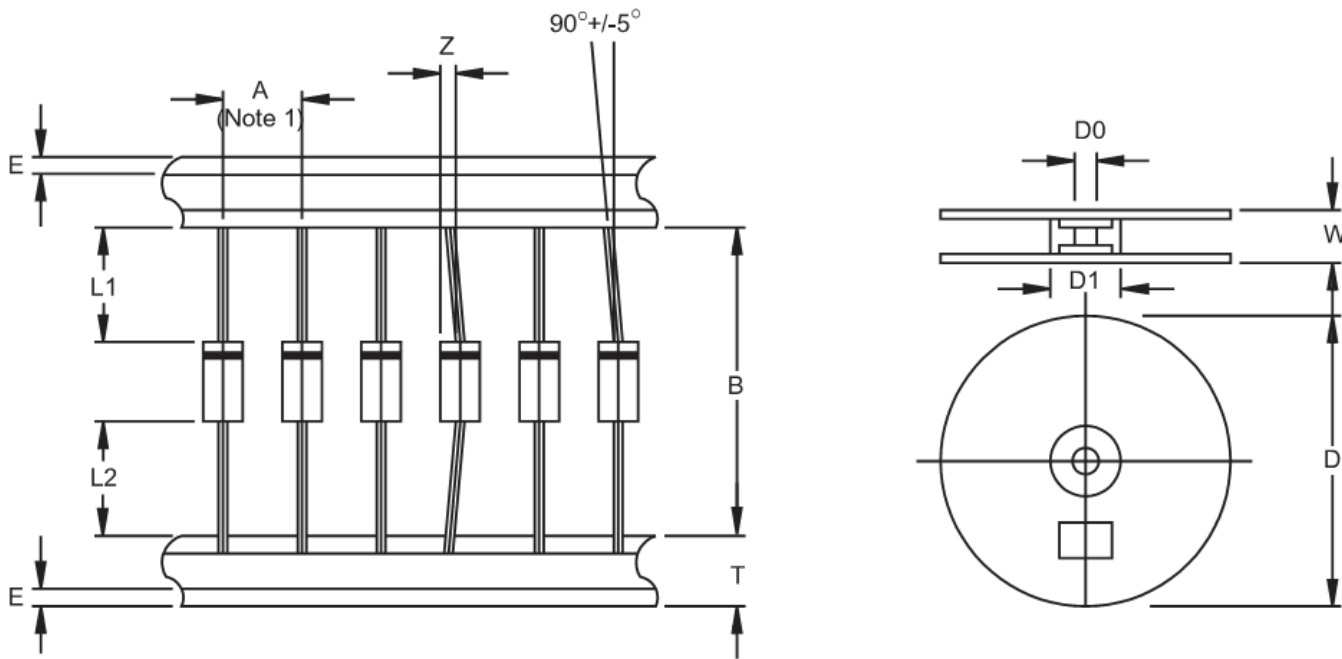
FIG. 6- TYPICAL TRANSIENT THERMAL CHARACTERISTICS



**Ordering information**

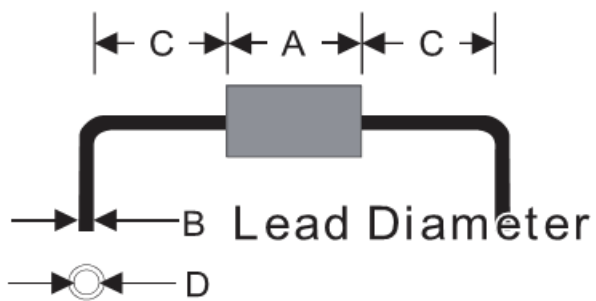
Part No.	Package	Packing	INNER TAPE	Packing code	Green Compound Packing code
SR5xx (Note)	DO-201AD	500 / AMMO box	52mm	A0	A0G
	DO-201AD	1.25K / 13" Reel	52mm	R0	R0G
	DO-201AD	500 / Bulk packing		B0	B0G
	DO-201AD	500 / Bulk packing		X0	X0G

Note: "xx" is Device Code from "02" thru "20".

**AXIAL LEAD TAPING SPECIFICATIONS**


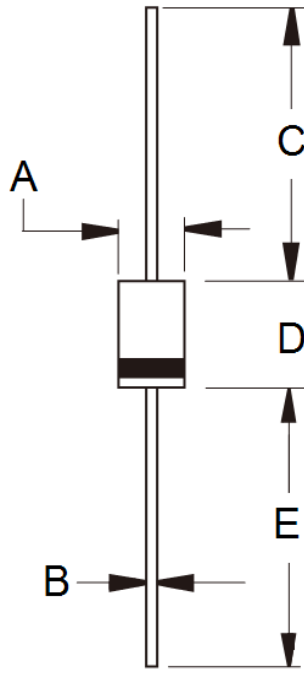
Outline	A	B	Z	T	E	L1-L2	D	D1	D0	W
		$\pm 0.5$	$\pm 1.5$	MAX	$\pm 0.4$	MAX	MAX		$\pm 0.3$	$\pm 0.4$
DO-201AD	10	52.4	1.2	6	0.8	1	330	85.7	16.6	76

Unit (mm)

**Suggested Mounting Hole Rule**


Symbol	Unit(mm)
A	9.0
B	1.2
C	4.0
D	1.6

**Dimensions**



DIM.	Unit(mm)		Unit(inch)	
	Min	Max	Min	Max
A	5.00	5.60	0.197	0.220
B	1.20	1.30	0.048	0.052
C	25.40	-	1.000	-
D	8.50	9.50	0.335	0.375
E	25.40	-	1.000	-

**Marking Diagram**



- P/N = Specific Device Code
- G = Green Compound
- YWW = Date Code